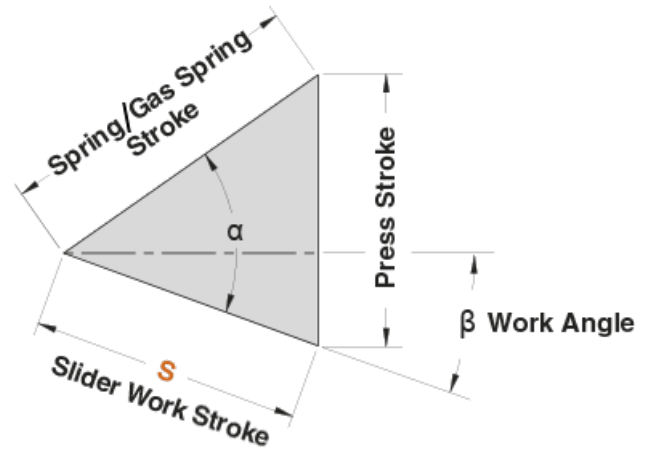
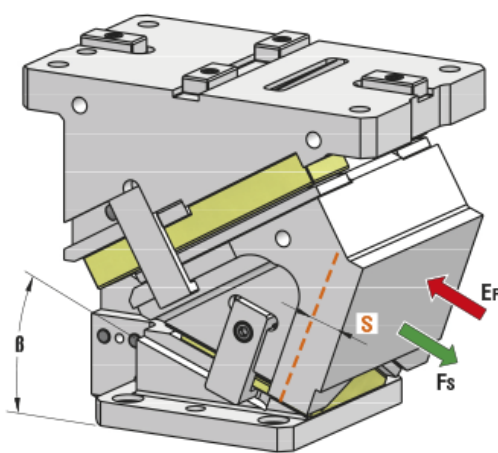




1. CAM DIAGRAM



OMCR CODE	Work Angle β	Slider Work Stroke S (mm)	Press Stroke (mm)	Spring / Gas Spring Stroke (mm)	$\alpha - \beta$	α
CHR200.00	0°	32,14	38,30	50	50°	50°
CHR200.05	5°	35,49	38,45	50	45°	50°
CHR200.10	10°	38,89	38,89	50	40°	50°
CHR200.15	15°	42,40	39,65	50	35°	50°
CHR200.20	20°	46,08	40,76	50	30°	50°
CHR200.25	25°	50,00	42,26	50	25°	50°
CHR200.30	30°	54,25	44,23	50	20°	50°
CHR200.35	35°	58,96	46,76	50	15°	50°
CHR200.40	40°	64,28	50,00	50	10°	50°
CHR200.45	45°	70,44	54,17	50	5°	50°
CHR200.50	50°	77,79	59,59	50	0°	50°
CHR200.55	55°	87,17	71,41	50	0°	55°
CHR200.60	60°	100,00	86,60	50	0°	60°



2. WORK FORCE DISTRIBUTION (kN) FOR 1 MILLION CYCLES

The following diagrams illustrate the maximum possible ranges of camforce applicable in several portions of the work area but always working in the exact direction of slider work stroke. If several forces are applied simultaneously on the work area, their common center has to be specified and compared with the tabular infos. The sum of all forces has to be lower than the corresponding tabular value.



Max Work Force with shoulder



Max Work Force with fitting keys

Assembly with shoulder

		WIDTH				
		40	40	40	40	40
HEIGHT	$\beta=0^\circ\div 60^\circ$	40	40	40	40	40
	40	74	141	370	141	74
	40	82	156	408	156	82
	40	70	133	348	133	70

Assembly with fitting keys

		WIDTH				
		40	40	40	40	40
HEIGHT	$\beta=0^\circ\div 60^\circ$	40	40	40	40	40
	40	33	64	185	64	33
	40	37	70	204	70	37
	40	31	60	174	60	31